

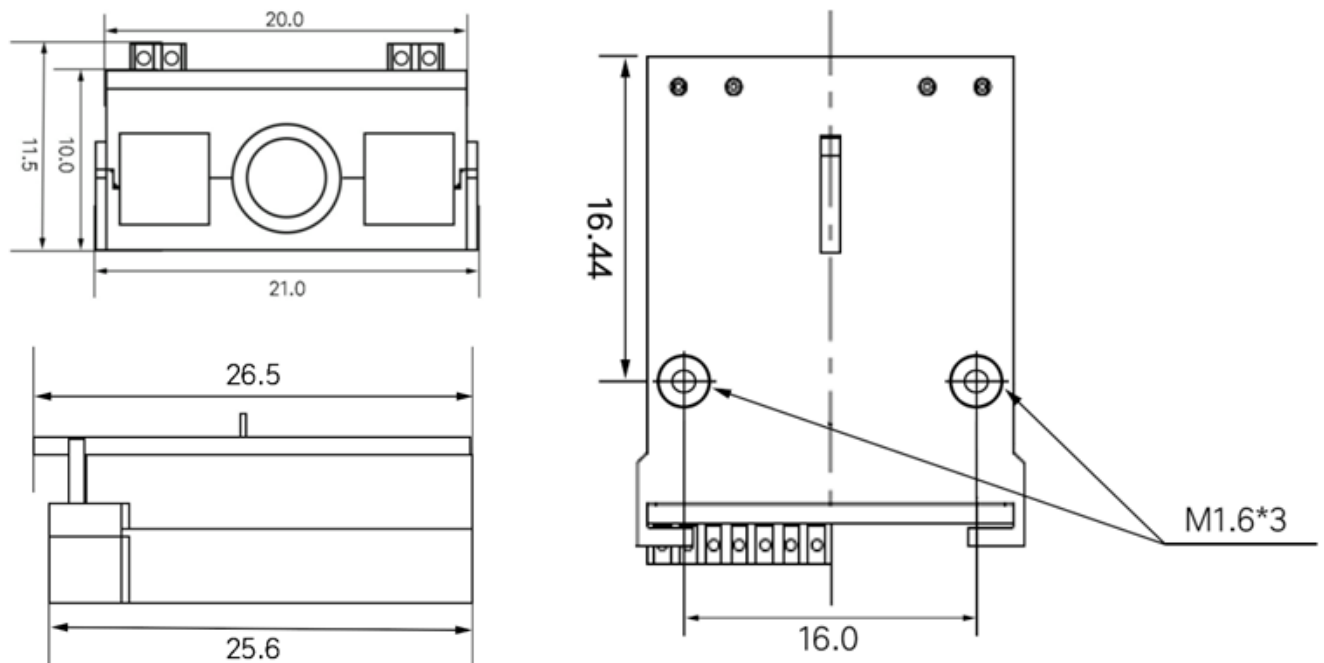
HW-1180

FEATURES & BENEFITS

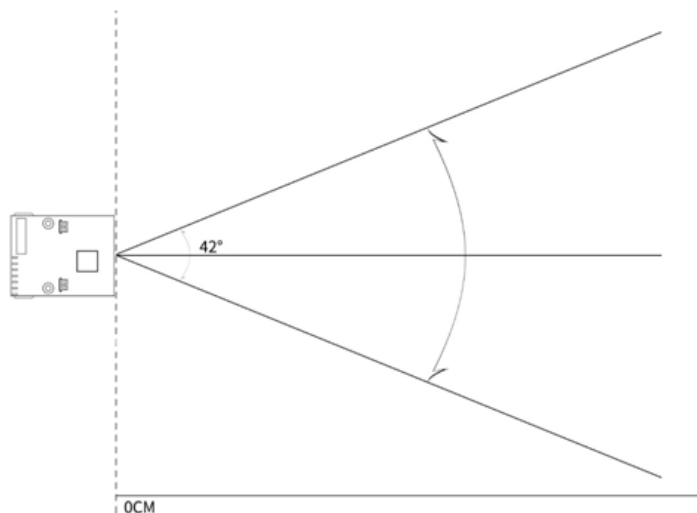
- Decoding min barcode density:3mil
- Support 1D barcode on paper and screen
- Interface TTL232 and USB by 12pin FFC
- Reading distance can up to 700mm
- Small size, fast and convenient installation



Installation Dimensions and Interface definition



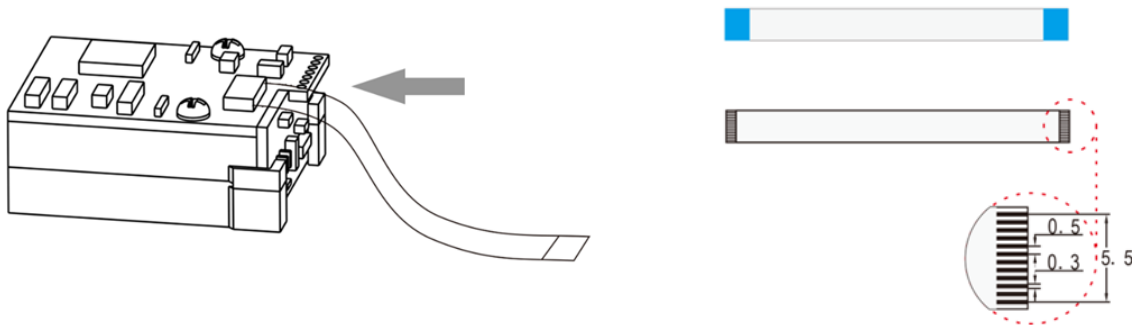
Scan Angle and Depth of field



| Type | Density | Near | Far |
|---------|-----------------|-------|-------|
| Code 39 | 0.076(3mil) | 70mm | 110mm |
| Code 39 | 0.1mm(4mil) | 50mm | 140mm |
| Code 39 | 0.127mm(5.0mil) | 50mm | 180mm |
| Code 39 | 0.5mm(20mil) | 30mm | 500mm |
| Code 39 | 1.0mm(40mil) | 150mm | 700mm |
| EAN-13 | 0.33mm(13.0mil) | 40mm | 350mm |

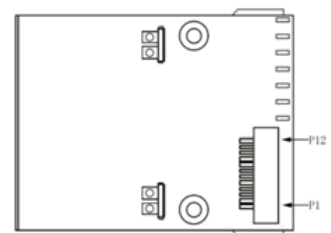
Test conditions: room temperature 25°C, ambient illumination 200LUX, PCS=0.9

Connection



Interface definition

| PIN | I/O | Definition | Description |
|-----|---------|------------|---|
| 1 | - | NC | floating |
| 2 | - | VCC | 3.3VDC power |
| 3 | - | GND | ground |
| 4 | Input | RX | TTL serial port reception |
| 5 | Output | TX | TTL serial port transmission |
| 6 | I/O | D- | USB D- |
| 7 | I/O | D+ | USB D+ |
| 8 | KB DATA | - | PS2_KB DATA |
| 9 | Output | BEEPER | Control external buzzer |
| 10 | Output | DLED | Control external Indicator LED |
| 11 | KB CLK | - | PS2_KB CLK |
| 12 | Input | TRIG | Trigger signal, keep 20ms can trigger to decode |



Technical Specification

HW-1180 Parameters

| | | | |
|---------------------|---------------------------|--|---|
| Reading performance | Sensor Type | Linear CCD Sensor | |
| | Resolution | 2500 | |
| | Decoding capacity | Support paper and screen barcodes | |
| | | 1D: UPC-A, UPC-E, EAN-8, EAN-13, ISSN, ISBN, Code 128, GS1-128, ISBT 128, Code 39, Code 93, Code 11, Interleaved 2 of 5, Matrix 2 of 5, Industrial 2 of 5, Standard 2 of 5 (IATA), Codabar (NW-7), Plessey, MSI Plessey, RSS, China Post, etc. all normal 1D | |
| | | Precision | ≥3mil/0.076mm (PCS90%,CODE 39) |
| | | Scan Angle | Rotation±30°,tilt±60°,skew±60° |
| | Min Contrast | 20% | |
| | Trigger Mode | Manual, Continuous, Auto- sensing, Command Mode etc. | |
| | Depth of field | 30mm~700mm | |
| | Mechanical and electrical | Interface | USB (USB-KBW, USB-COM, USB-HID), TTL, PS2 |
| Working Voltage | | DC 3.3V | |
| Current | | 60mA(working) 2mA(standby) | |
| Dimensions | | 26.5mm L * 20mm W * 11.5mm H | |
| Weight | | 6g | |
| Indication | | LED(fill light),can trigger external buzzer and LED indicator | |
| FFC cable | | 12PinPitch 0.5 5CM | |
| Environment Request | Working Tem | -20~50℃ | |
| | Storage Tem | -40~60℃ | |
| | Humidity | 5%-95%(Non-condensing) | |
| | Shock test | 10H@125RPM | |